





## ANCHORING POINT AT 153

### INSPECTION AND MAINTENANCE

1. Each time before use the anchoring point will be subject to visual inspection.
2. If the anchoring point took part in fall arresting it should be inspected in detail and, if approved, released for further use or replaced with a new one, after inspecting the permanent structure at the fixing point.
3. It is recommended to carry out periodical reviews of the anchoring point every 12 months, in accordance with the guidelines of PN-EN 795 class A.
4. Periodical checks and any special inspections should be recorded in the Identity Card.

### IDENTITY CARD

Name of equipment	Ref. number	User's name
Date of production	Serial number	Date of installation

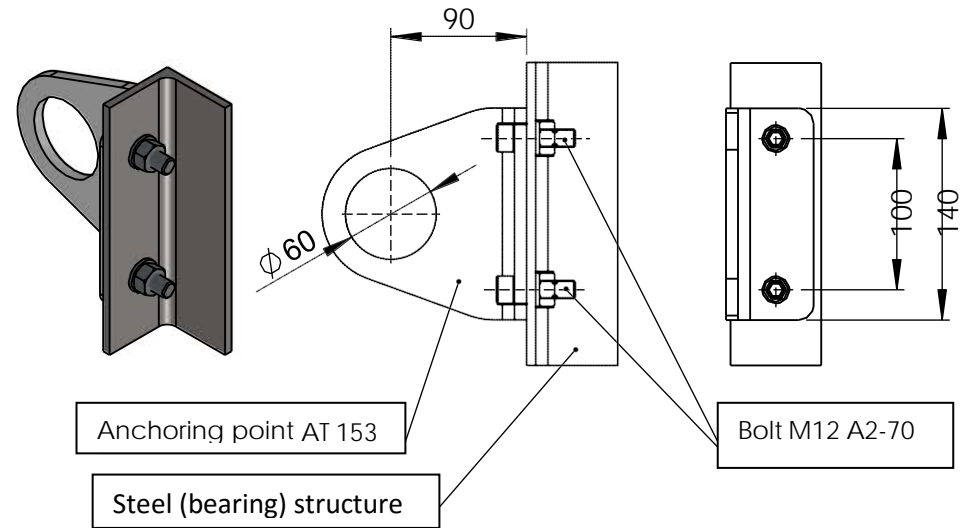
### Technical inspections

Date	Nature of inspection (periodical, repair, etc.)	Remarks	Date of next inspection	Signature

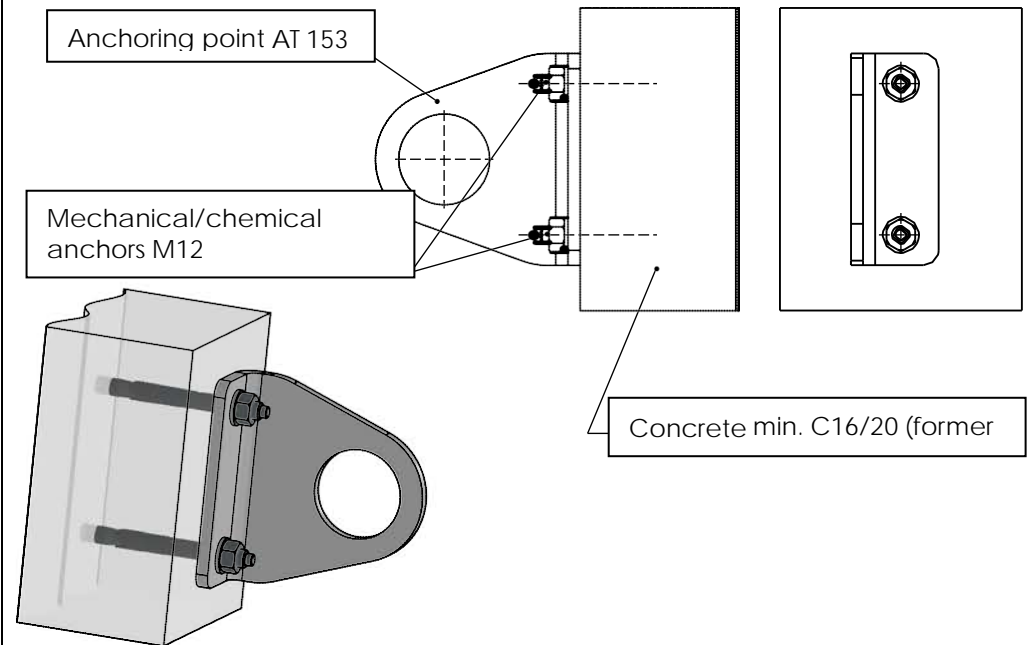
PROTEKT, ul. Starorudzka 9, 93-403 Łódź  
 tel.: (+48 42) 292 95 00, fax: (+48 42) 680 20 93, e-mail: protekt@protekt.com.pl

## ANCHORING POINT AT 153

### EXAMPLE OF FIXING TO A STEEL STRUCTURE (strength enhanced to 32 kN)

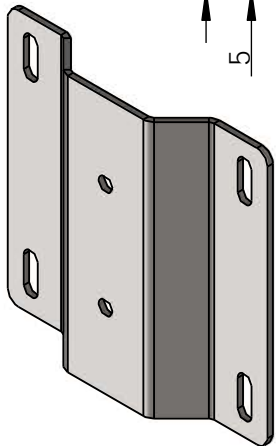
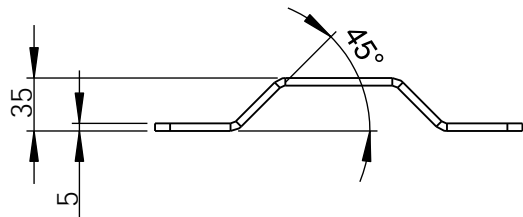
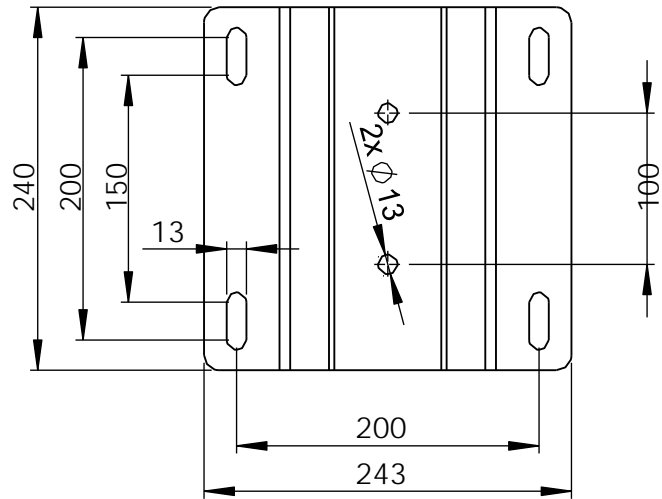


### EXAMPLE OF FIXING TO A CONCRETE STRUCTURE



## ANCHORING POINT AT 153

ADAPTER AT 153A FOR FIXING TO A CONCRETE SUBSTRATE  
(for strength enhancing to 32 kN)



### TECHNICAL DATA

1. Material: stainless steel AISI 304
2. Sheet thickness: 5 mm
3. Assembly on a concrete substrate with the use of 4 mechanical or chemical anchors M12: stainless grade of minimum A2 or galvanized minimum class 8.8

## ANCHORING POINT AT 153

EXAMPLE OF FIXING TO A CONCRETE SUBSTRATE WITH THE  
USE OF ADAPTER AT 153 A  
(strength enhanced to 32 kN)

Adapter AT 153 A Concrete min. C16/20 (former B20) Anchoring point AT 153

